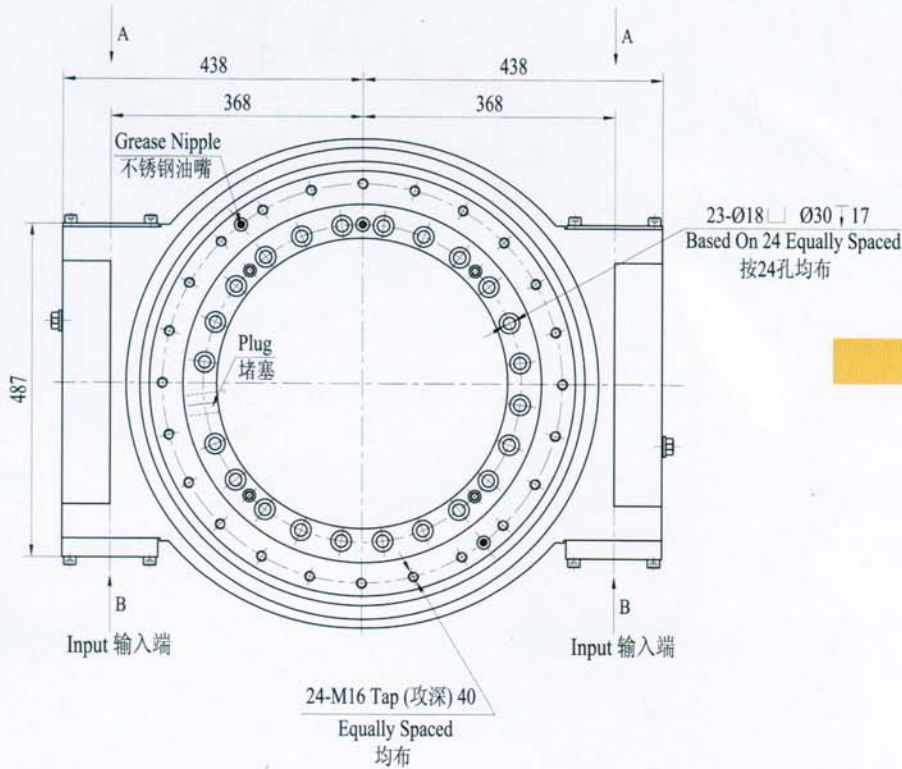


HSE21-2 | SLEWING DRIVE

回转式减速器

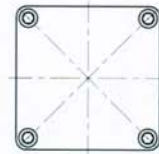
UNITS: mm
单位: mm
1 inch = 25.4 mm



VIEW A OPTION

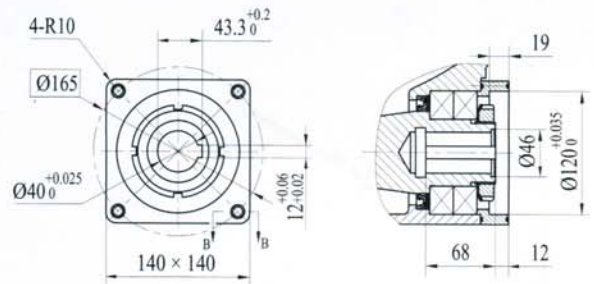
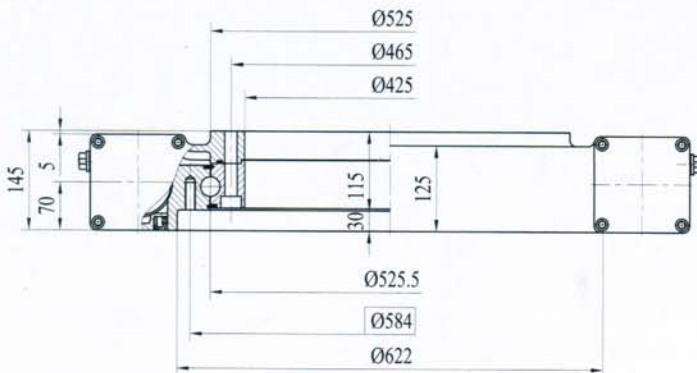
A 向选项

END CAP
闷盖

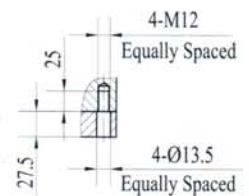


VIEW B OPTION

B 向选项



B-B



 **206kg**

$\varnothing 40$

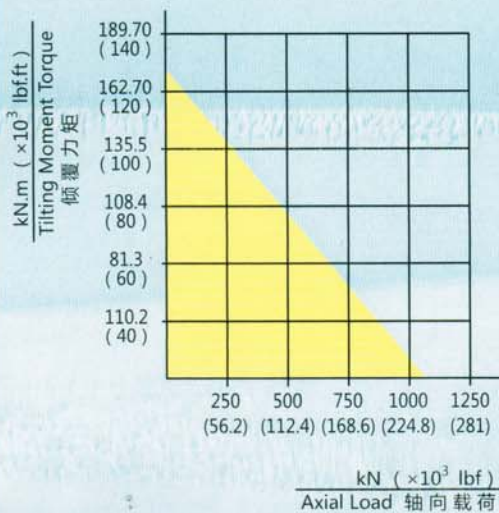
■ NORMAL



HSE21-2 | Slewing Drive Performance Parameters 回转式减速器性能参数表

Model 类型	Data 参数	Output Torque 输出转矩	Max Output Torque 最大转矩	Tilting Moment Torque 倾覆力矩	Static Axial Rating 轴向静载荷	Static Radial Rating 径向静载荷	Dynamic Axial Rating 轴向动载荷	Dynamic Radial Rating 径向动载荷	Gear Ratio 减速比	Tracking Precision 精度等级	Weight 重量
HSE21-2		43.6 kN.m	52.3 kN.m	167 kN.m	1058 kN	421 kN	265 kN	216 kN	82 : 1	≤ 0.15°	206kg
		32264 lbf.ft	38702 lbf.ft	125 × 10 ³ lbf.ft	238 × 10 ³ lbf.ft	95 × 10 ³ lbf.ft	60 × 10 ³ lbf.ft	49 × 10 ³ lbf.ft			

MOMENT LOAD CHART 承载力矩表
Axial Load & Tilting Moment
轴向载荷 & 倾覆力矩



NOTICE 注意

▲ PLEASE BE SURE TO REMAIN UNDER THIS CURVE
选型时请确保实际载荷在曲线范围内

▲ This drawing is just for your reference
以上图纸仅供参考

▲ The drawing is subject to change due to new design without prior notice
本公司保留改进产品的权利而不再另行通知